

## 50mm S/S Standoff Fixing Options

SPECIFIC STRUCTURAL CONTENT SHOWN ON THIS SHEET IS IN ACCORDANCE WITH CALCULATIONS PROVIDED. THIS SHEET MUST BE REFERENCED BY THE PRODUCER STATEMENT ATTACHED

ADDRESS:  
Glass Systems Balustrade Fixings (Not Site Specific)

ARCH DRG REF:  
GS-1, GS-1A, GS-2, GS-2A, GS-2B, GS-3, GS-4, GS-10

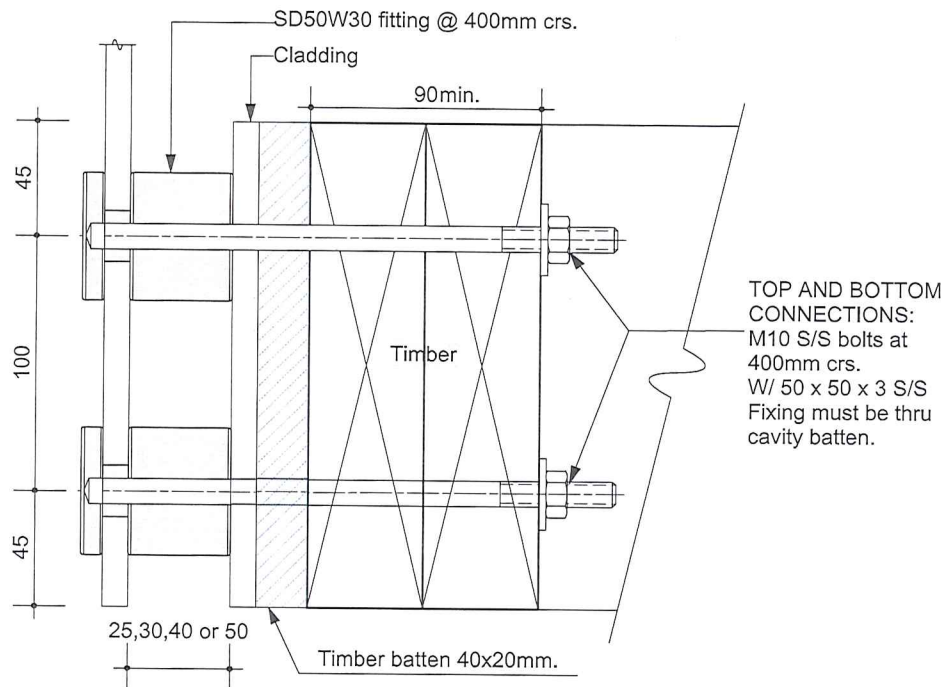
DATE: 23/09/2016

*Jones*

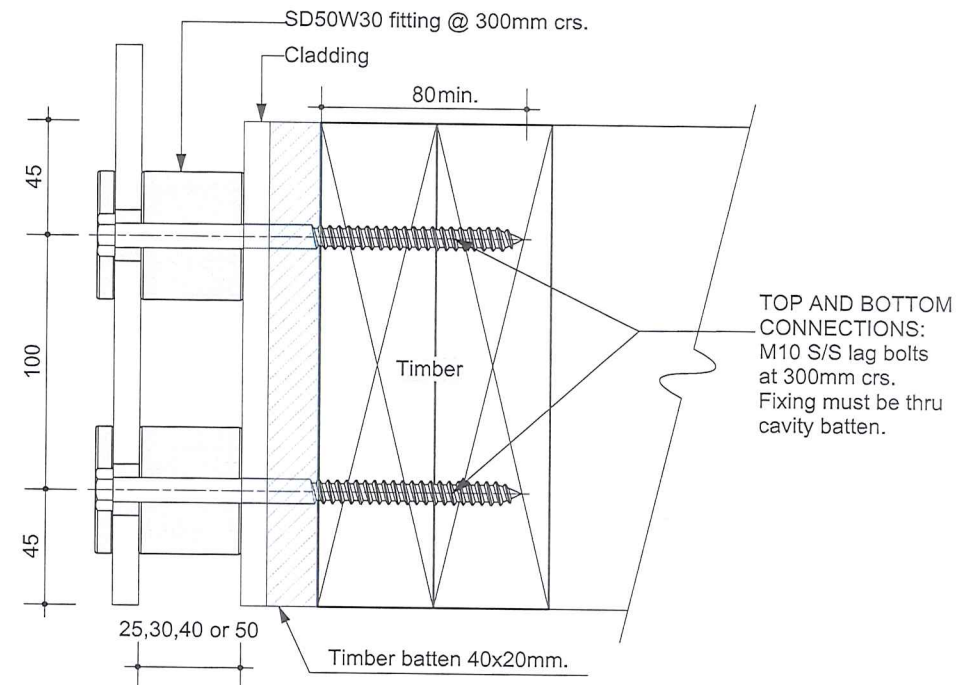
Glen Cossey  
(Principal Engineer)  
BE, CPEng, MIPENZ, MIPES

- Internal / External use up to high wind zone.
- Occupancy type A,A other B,E C1/C2, C3 (Refer table 3.3 AS/NZS 1170)
- Use 12mm toughened or 13.5m toughened laminate glass.
- Occupancy type C5 use 15mm thickness glass with thru bolts only.
- Refer GS-10 and GS-11 Drawing for Handrail type.

The design of the primary structural elements that support the balustrade must be carried out by a suitably qualified person to carry the loads imposed by the balustrade relevant to the occupancy type and building code requirements.



### TIMBER CAVITY FIXING



### TIMBER CAVITY FIXING

Only suitable for occupancy Type A at 300mm centres.

Note: If sloped weatherboard is used as cladding add s/s shaped packer to back of standoff.