

## 50mm S/S Standoff Fixing Options

- Internal / External use up to high wind zone.
- Occupancy type A,A other B,E C1/C2, C3 (Refer table 3.3 AS/NZS 1170)
- Use 12mm toughened or 13.5m toughened laminate glass.
- Occupancy type C5 use 15mm thickness glass with thru bolts only.
- Refer GS-10 and GS-11 Drawing for Handrail type.

The design of the primary structural elements that support the balustrade must be carried out by a suitably qualified person to carry the loads imposed by the balustrade relevant to the occupancy type and building code requirements.



A1 27-29 WILLIAM PICKERING DRIVE, ALBANY,  
AUCKLAND 0632, NEW ZEALAND  
TELEPHONE: 64 9 415 9703  
FACSIMILE: 64 9 415 9796  
E-MAIL: [engineering@markplan.co.nz](mailto:engineering@markplan.co.nz)

SPECIFIC STRUCTURAL CONTENT SHOWN ON THIS SHEET IS IN ACCORDANCE WITH CALCULATIONS PROVIDED. THIS SHEET MUST BE REFERENCED BY THE PRODUCER STATEMENT ATTACHED

**ADDRESS:**

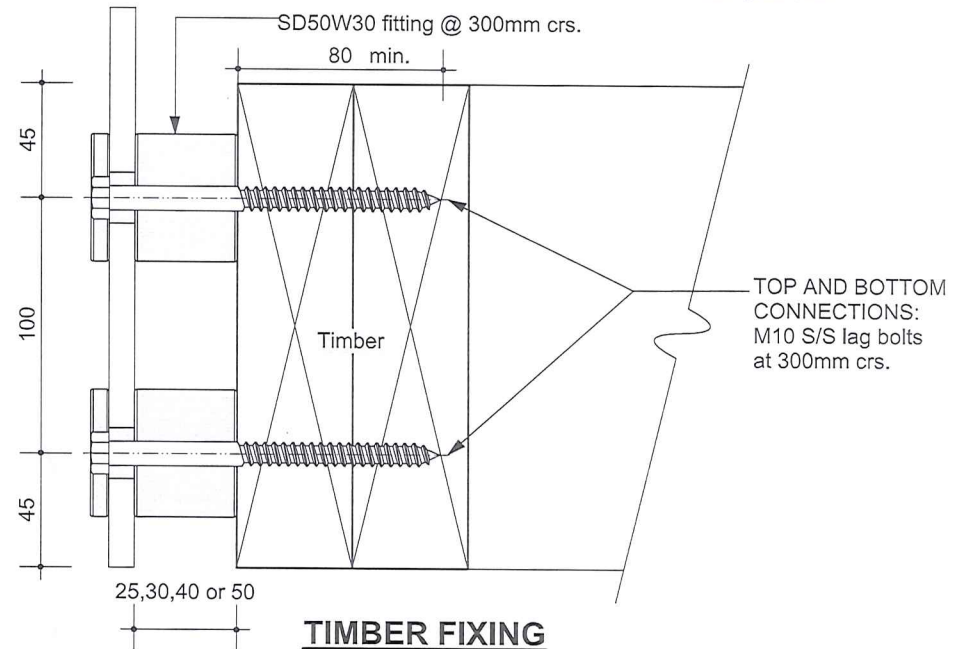
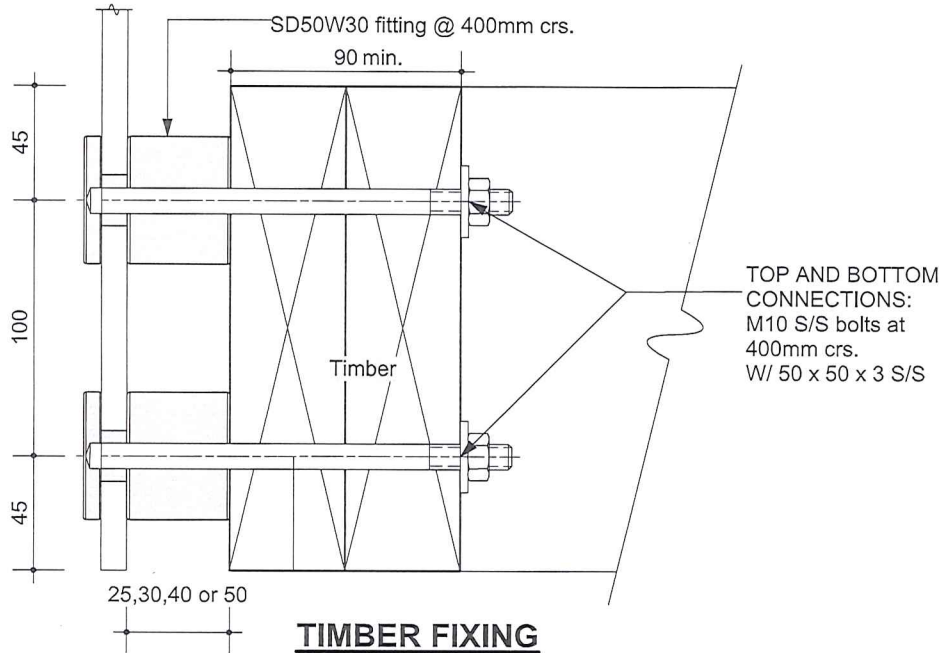
Glass Systems Balustrade Fixings (Not Site Specific)

**ARCH DRG REF:**

GS-1, GS-1A, GS-2, GS-2A, GS-2B, GS-3, GS-4, GS-10

DATE: 23/09/2016

Glen Cossey  
(Principal Engineer)  
BE, CPEng, MIPENZ, MIPES



Only suitable for occupancy Type A at 300mm centres.



Drawing  
GS - 2A