

50mm S/S Standoff Fixing Options

- Internal / External use up to high wind zone.
- Occupancy type A,A other B,E C1/C2, C3 (Refer table 3.3 AS/NZS 1170)
- Use 12mm toughened or toughened laminate glass.
- Occupancy type C5 use 15mm thickness glass and fixings at max 300 crs.
- Refer GS-10 Drawing for Handrail type.

The design of the primary structural elements that support the balustrade must be carried out by a suitably qualified person to carry the loads imposed by the balustrade relevant to the occupancy type and building code requirements.



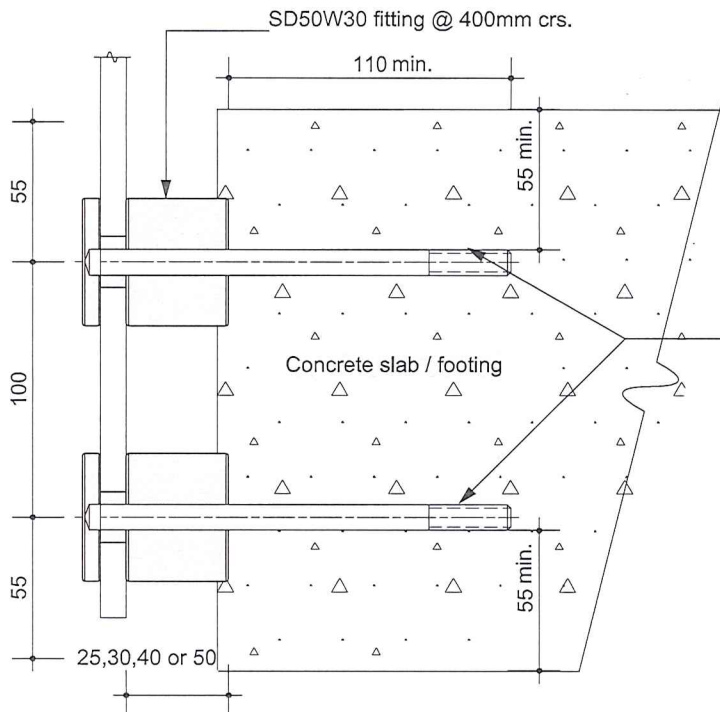
SPECIFIC STRUCTURAL CONTENT SHOWN ON THIS SHEET IS IN ACCORDANCE WITH CALCULATIONS PROVIDED. THIS SHEET MUST BE REFERENCED BY THE PRODUCER STATEMENT ATTACHED

ADDRESS:
Glass Systems Balustrade Fixings (Not Site Specific)

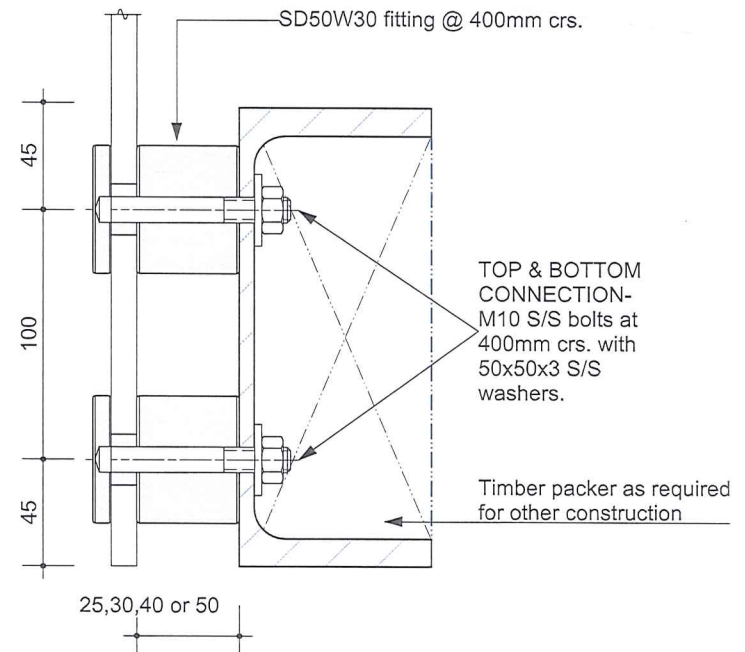
ARCH DRG REF:
GS-1, GS-1A, GS-2, GS-2A, GS-2B, GS-3, GS-4, GS-10
DATE: 23/09/2016

Glen Cossey
Glen Cossey
(Principal Engineer)
BE, CPEng, MIPENZ, MIPES

TOP AND BOTTOM CONNECTIONS:
M10 Hilti RE500 + HAS-RE S/S Rods at max. 400crs.
For all loadings except C5



CONCRETE FIXING



STEEL FIXING



Drawing
GS - 2