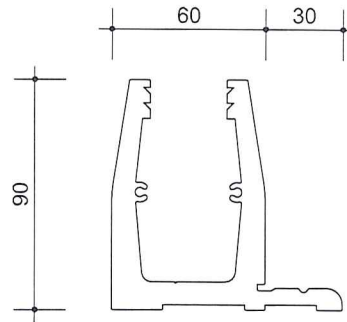


Refer GS-10 and GS-11 Drawing for Handrail type.

This system not suitable for use with EVA / Sentry glass laminate.

The design of the primary structural elements that support the balustrade must be carried out by a suitably qualified person to carry the loads imposed by the balustrade relevant to the occupancy type and building code requirements.



BASE FIXED CHANNEL

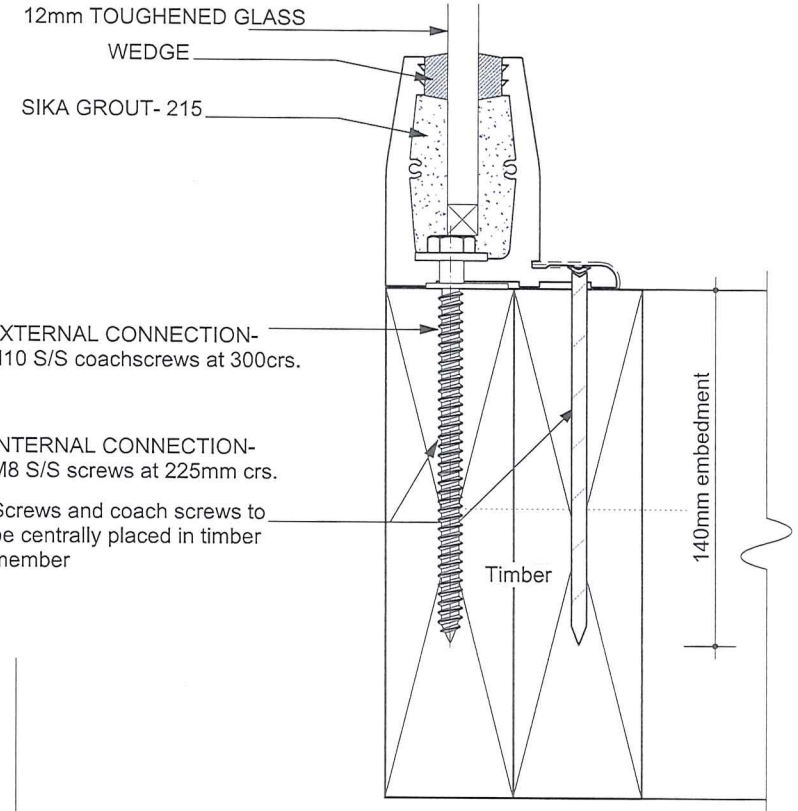
MARKPLAN Consulting Ltd
 Specialist Civil & Structural Engineering
 A1 27-29 WILLIAM PICKERING DRIVE, ALBANY, AUCKLAND 0632, NEW ZEALAND
 TELEPHONE: 04 415 9793
 FACSIMILE: 04 9 415 9795
 E-MAIL: engineering@markplan.co.nz

SPECIFIC STRUCTURAL CONTENT SHOWN ON THIS SHEET IS IN ACCORDANCE WITH CALCULATIONS PROVIDED. THIS SHEET MUST BE REFERENCED BY THE PRODUCER STATEMENT ATTACHED

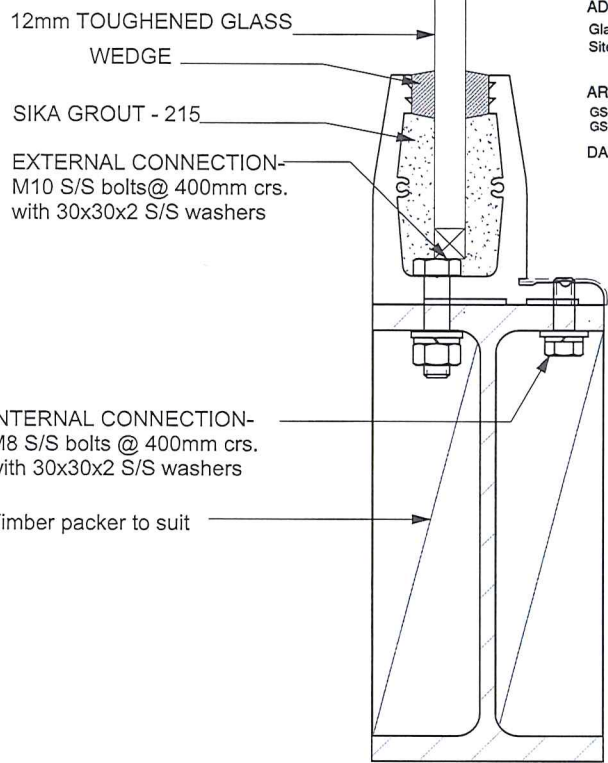
ADDRESS:
 Glass Systems Balustrade Fixings (Not Site Specific)

ARCH DRG REF:
 GS-1, GS-1A, GS-2, GS-2A, GS-2B, GS-3, GS-4, GS-10
 DATE: 23/09/2016

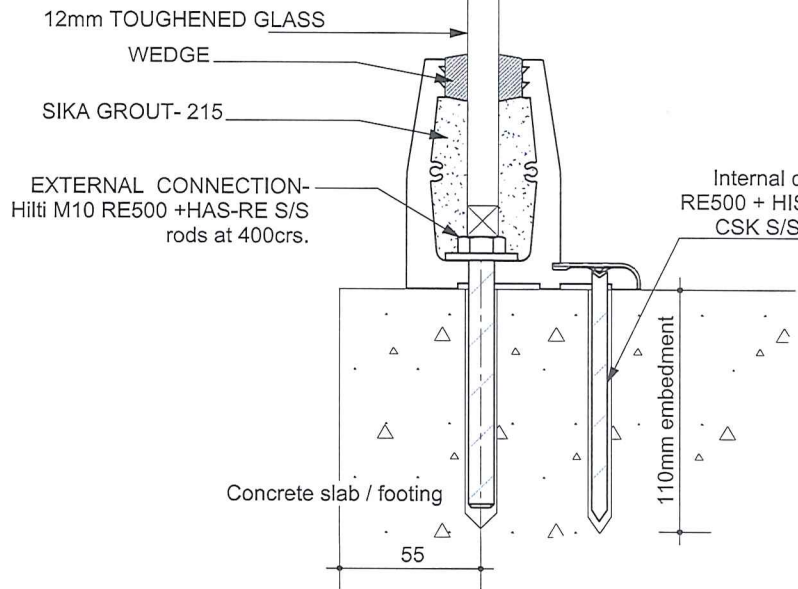
Glen Cossey
 Glen Cossey
 (Principal Engineer)
 BE, CPEng, MIPENZ, MIPES



TIMBER FIXING



STEEL FIXING



CONCRETE FIXING

-Internal / External use up to high wind zone.
 -Occupancy Type A, A other B, E C1/C2, C3
 -Loading only.
 (Refer table 3.3 AS/NZS 1170)

 Drawing GS - 1A