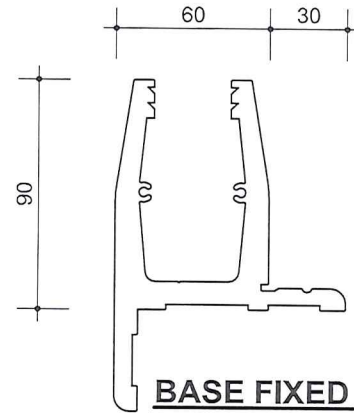


Refer GS-10 and GS-11 Drawing for Handrail type.

This system not suitable for use with EVA / Sentry glass laminate.



The design of the primary structural elements that support the balustrade must be carried out by a suitably qualified person to carry the loads imposed by the balustrade relevant to the occupancy type and building code requirements.



SPECIFIC STRUCTURAL CONTENT SHOWN ON THIS SHEET IS IN ACCORDANCE WITH CALCULATIONS PROVIDED. THIS SHEET MUST BE REFERENCED BY THE PRODUCER STATEMENT ATTACHED

**ADDRESS:**

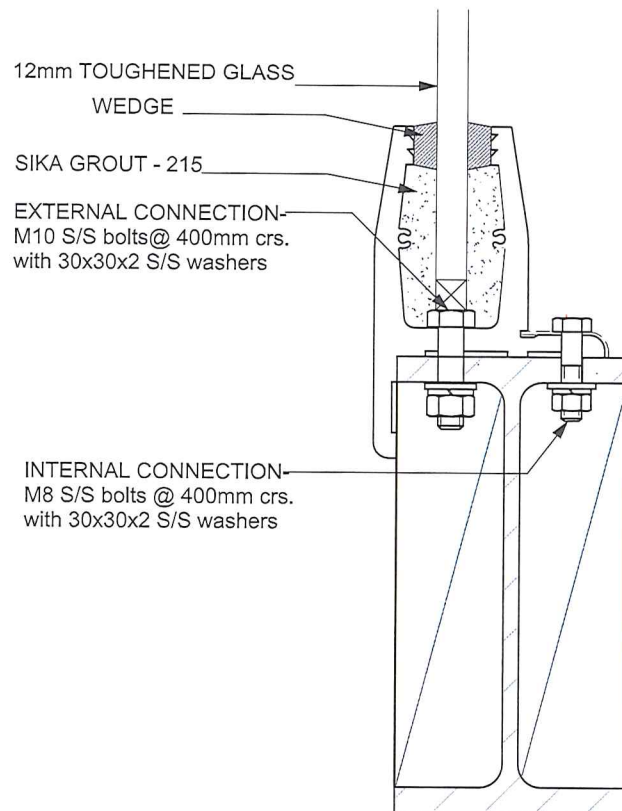
Glass Systems Balustrade Fixings (Not Site Specific)

**ARCH DRG REF:**

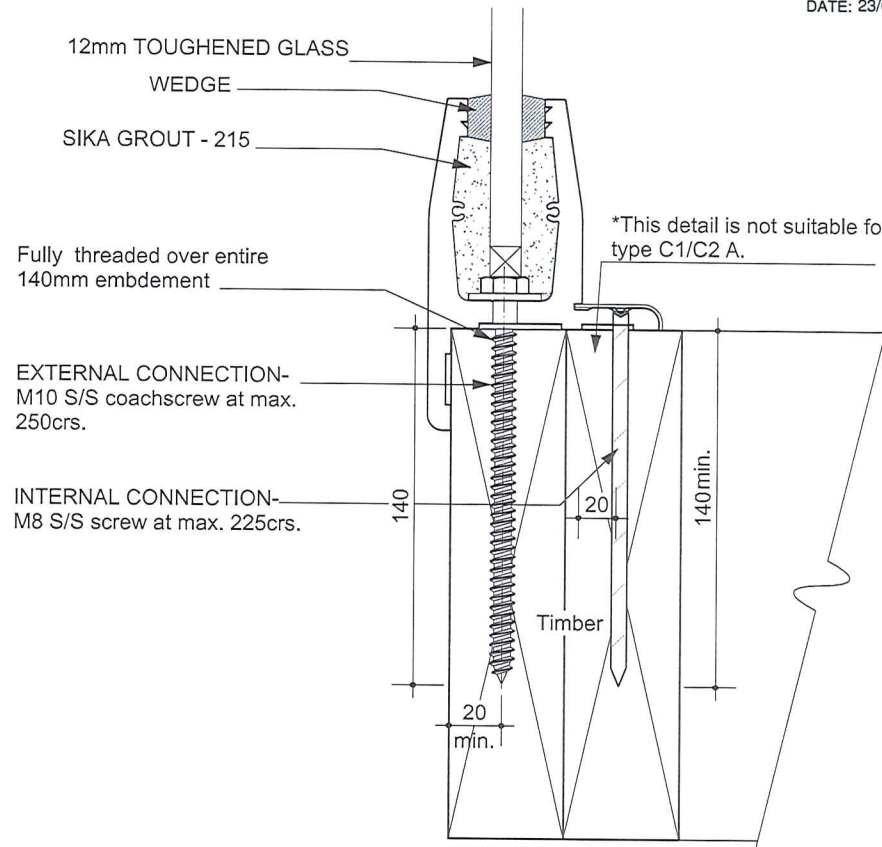
GS-1, GS-1A, GS-2, GS-2A, GS-2B, GS-3, GS-4, GS-10

DATE: 23/09/2016

*Jones*  
Glen Cossey  
(Principal Engineer)  
BE, CPEng, MIPENZ, MIPES



**STEEL FIXING**



**TIMBER FIXING**

-Internal / External use up to high wind zone.  
-Occupancy Type A,A other B,E  
C1/C2, C3 -Loading only.  
(Refer table 3.3 AS/NZS 1170)



**Drawing  
GS - 1**